

L-003

L-series pathlights are durable fixtures made from brass and copper. They are ideal for walkways and area lighting in any landscape theme and location.

Construction All brass components. 3/8" schedule 40 brass stem. 18-gauge copper shade, underside powdercoated white.

Lens Frosted, borosilicate glass

Voltage 12 Volts AC. Remote transformer required.

Stem Height 12 inches is standard. Available stem heights:

- 8 8" [20 cm]
- 12 12" [30 cm]
- 16 16" [40 cm]
- 20 20" [51 cm]

Custom heights upon request

Lamps 12 Volts, Remote transformer required

- S8 double-contact bayonet — **1W-S8-DC** 1 Watt LED
- **13W** 13 Watt
- Incandescent or LED — **18W** 18 Watt
- 26 Watts maximum — **26W** 26 Watt

- G4 bi-pin — **3W-G4** 3 Watt LED
- Xenon or LED — **10X** 10 Watt
- 20 Watts maximum — **15X** 15 Watt
- **20X** 20 Watt

- G4 / G6.35 / GY6.35 — **10H** 10 Watt
- Halogen — **20H** 20 Watt
- 35 Watts maximum — **35H** 35 Watt

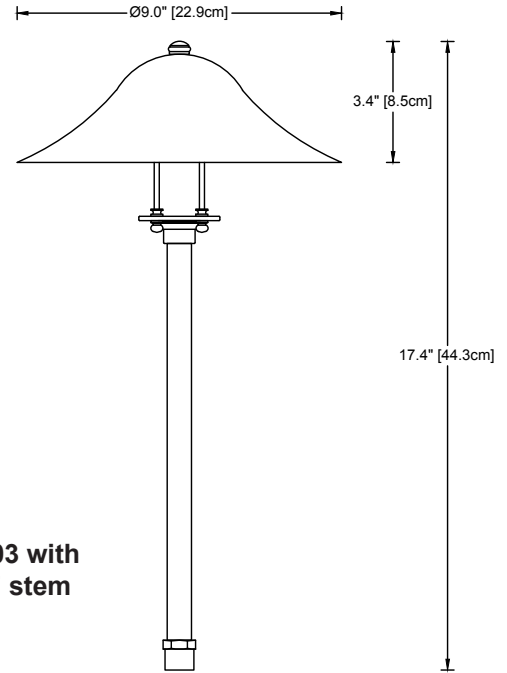
Mounting 1/2" male threads. Mounts into any standard j-box or:

- Accessories**
- **GS2** Heavy-duty ground spike
 - **GS2BC** Heavy-duty ground spike with cast brass cap
 - **GS4** Standard ground spike with cast brass cap
 - **JB** Cast brass junction box

Finish: Unfinished is standard; no specification required. The fixture will weather to a natural patina. The patina process is natural with brass and copper. Rate of patina and eventual color is dependent upon climate and proximity to the ocean. Thus, Beachside does not guarantee any specific appearance.

CSA Listed, file #190030
10 year fixture warranty

MADE IN USA



L-003 with 12" stem

L-003 Horizontal Footcandles at Radius from Fixture base with Standard 12" Stem Height

Lamp	1'	2'	3'	4'	5'	6'
1W-S8-DC	2.19	0.89	0.41	0.21	0.13	0.08
3W-G4	5.42	2.51	1.28	0.74	0.48	0.33
13W	5.87	2.38	1.05	0.54	0.34	0.22
18W	7.08	2.88	1.31	0.68	0.41	0.27
26W	11.9	4.92	2.21	1.13	0.68	0.42
10X	3.98	1.84	1.01	0.59	0.39	0.27
15X	5.34	2.38	1.20	0.69	0.45	0.32
20X	7.88	3.76	1.98	1.16	0.76	0.53
10H	5.32	2.48	1.26	0.73	0.47	0.32
20H	9.34	4.32	2.2	1.27	0.82	0.57
35H	19.25	9.34	4.78	2.70	1.73	1.16

Project _____ By _____ Date _____

For ordering purposes, please specify (example: **L-003—12—18W—GS2**)

L-003

Fixture
Stem Height
Lamp
Accessory